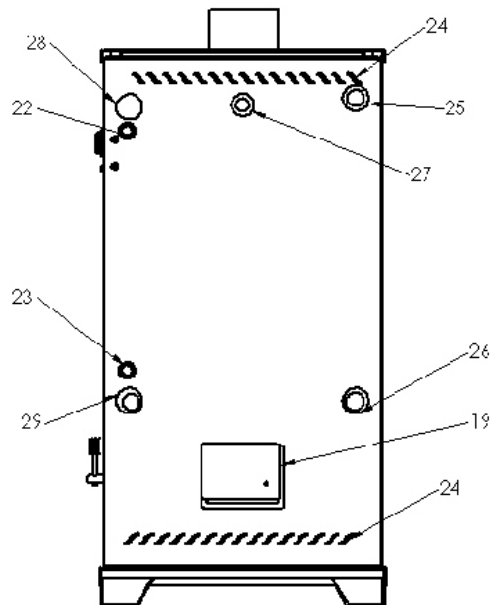
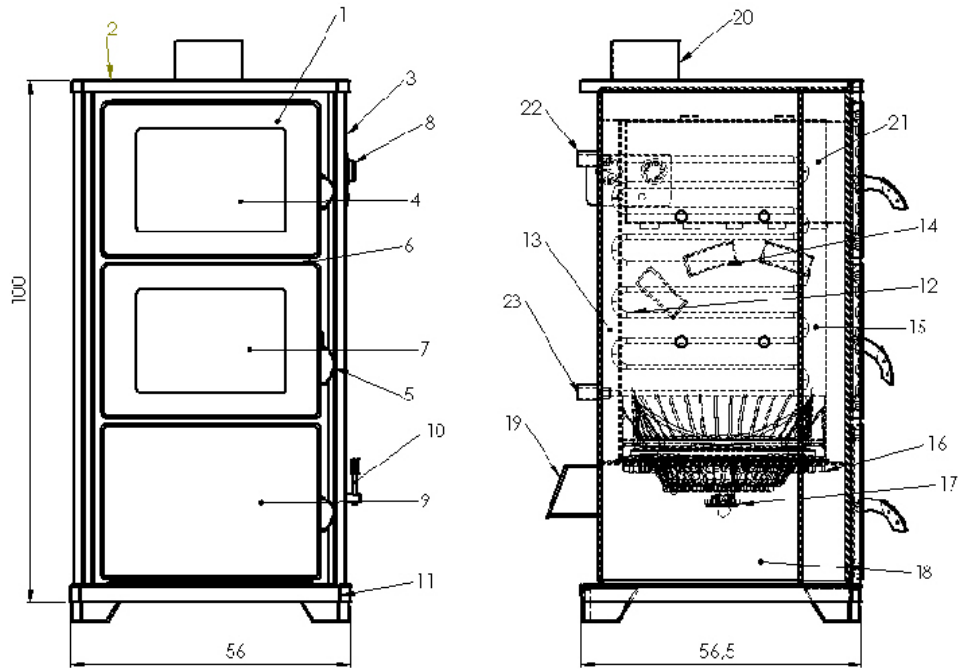


Product Information Page
Central Heating Stove With
Solid Fuel



Tested according to DIN EN 13240

T-25



Explanation

Pos.	Explanation	Pos.	Explanation
1.	Stove Surface	16.	Grate
2.	Top Plate	17.	Ash Discharge Grid Material
3.	Lateral Sheat(1 mm)	18.	Ash Tray
4.	Heating Chamber Glass(Tempered Glass)	19.	Mechanical thermostat vent cover
5.	Cover Handle	20.	Chimney connection
6.	Glass cleaning vent	21.	Heating Chamber
7.	Flame Chamber Glass (Ceramic Glass)	22.	Serpentine output
8.	Digital	23.	Serpentine input
9.	Ash Chamber	24.	Vent
10.	Ash Discharge Handle	25.	Thermostatical Valve and Expansion Tank output
11.	Bottom Plate	26.	Radiator Cold Water Output
12.	Serpantine	27.	Mechanical thermostat
13.	Water chamber(back)	28.	Radiator hot water input
14.	Water heating profile	29.	Sanitary water input
15.	Water chamber(right-left)		

CAUTION!!!

To make sure that the radiator connection is done properly, make sure that you do this by authorized person. When a problem occurs because of the installation/connection, the responsibility belongs stove installer.


Suitable Fuels

The following fuels are suitable for your stove;

- Dry, natural wood,
- Wood brickets of standard DIN 5173;
- (6" and 7") coal brickets.

Mechanical Thermostat Adjustment

The mechanical thermostat needs to be set on 90°, when the stove is burned. The chain that is connected to mechanical thermostat and the air-vent cover permits to open the air-vent cover widely. Approximately, after 15-20 minutes (the stove will be hot enough). Then you can set the mechanical thermostat according to your needs. It should not be below 40°C, otherwise moist can occur in the flue pipe and clogge the pipes.

Fuel	Max. Fuel Quantity	Mechanical thermostat (Air passing through the grate)	Glass Cleaning Air - Condition
Wood:	3 - 4 Pcs of Wood (approx. 3,5 - 4 kg)	Set the temperature at desired level	open 
Coal:	4 - 5 Bricket (approx. 3,5 - 4 kg)	At least 10 -15 Max.(90C°) Later, set the temperature at desired level	open 