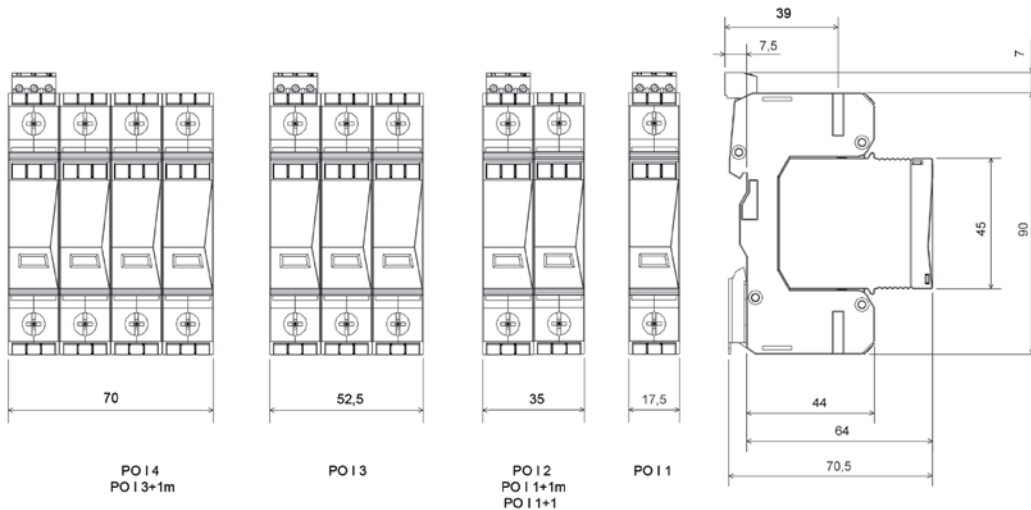


POI

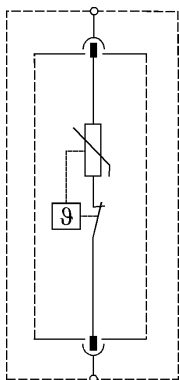
- For protection of mains and appliances in small industrial buildings, administration buildings, buildings of civic amenities, detached houses against the effects of overvoltage wave caused by a close or indirect lightning hit
- It decreases overvoltage and restricts overvoltage wave energy
- Installation: into the main distributor
- Usage as the 1st level (T1, coarse protection) in a 3-level overvoltage protection concept
- It provides overvoltage protection for appliances placed in the main distributor in the range T1, T2, T3 (coarse, medium and fine protection)
- High diverting cable ability provided by power varistors MOV
- Version: basic part + plug-in protective modules
- Protective modules rotatable with respect to the base through 180°
- Optical and remote signalisation of operation state
- Multifunctional terminals for conductors and bus bars



DIMENSIONS



BASIC VERSION



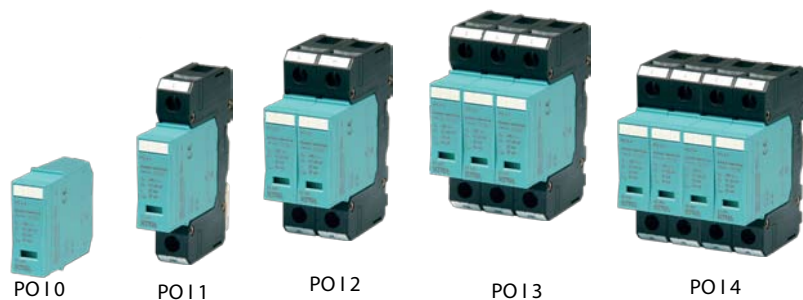
Signalling states:

- green = OK
- red = out of operation, to be replaced immediately

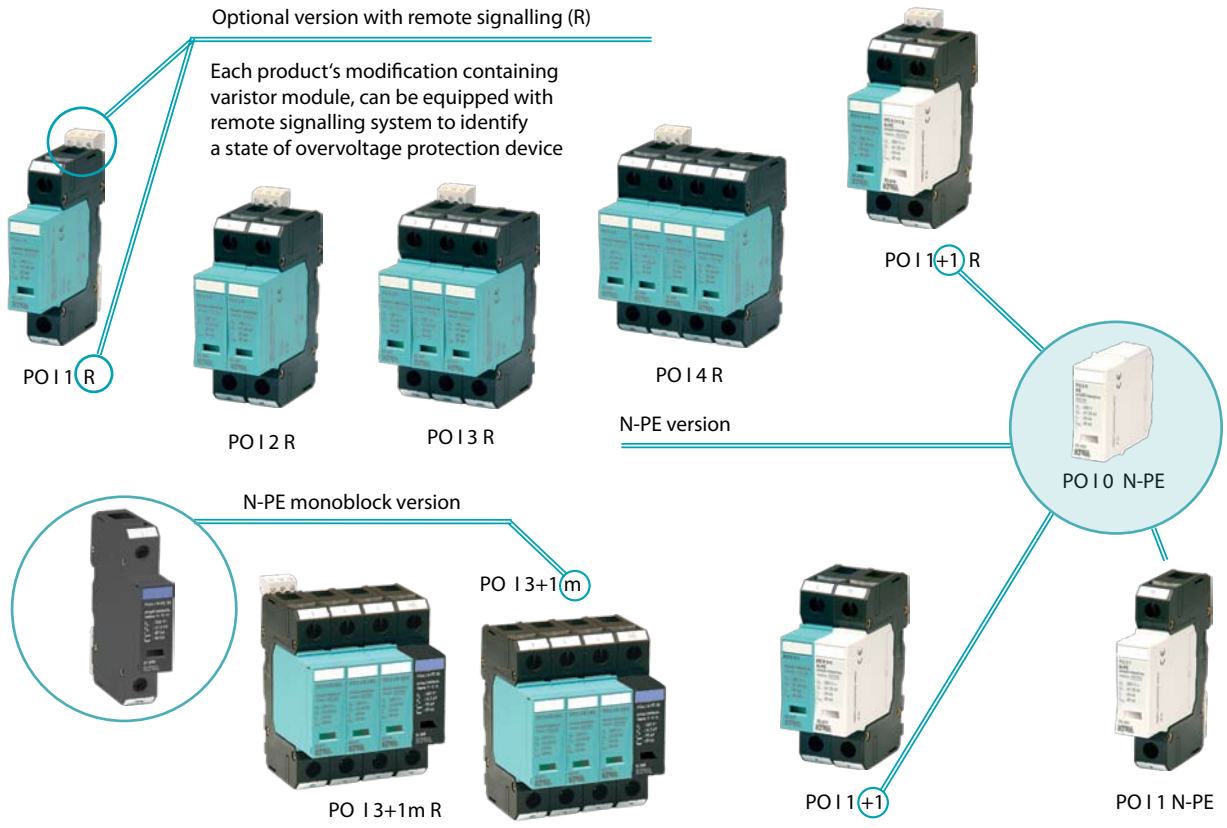
EWS VERSION

Wear signalling states in EWS version:

- green = OK
- yellow = replacement is recommended
- red = out of operation, to be replaced immediately

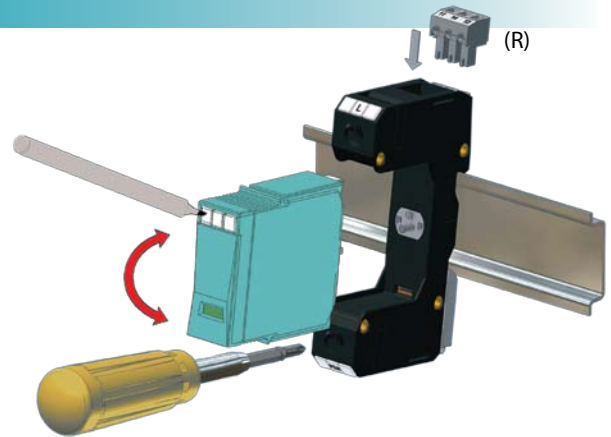


R and N-PE VERSION



INSTALLATION

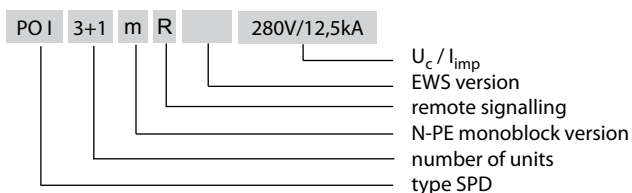
- Installation on DIN rail
- Cable labeling system using Dekafix replaceable strips
- Plug-in varistor can be turned through 180°



TECHNICAL PARAMETERS

KIWA	TYPE	PO I		POm I
		L-N	N-PE	N-PE 50
Number of ports		1	1	1
Nominal voltage	U_n	230 V~	230 V~	230 V~
Max. operating voltage	U_c T1 T2 T3	280 V~	260 V~	260 V~
Voltage protection level	U_p T1 T2 T3	≤1,3 kV	≤1,5 kV	≤1,5 kV
Response time	t_A	<25 ns	<150 ns	<100 ns
Impulse current (10/350)	I_{imp}	12,5 kA	12,5 kA	50 kA
Open circuit voltage	U_{oc} T3	20 kV	6 kV	10 kV
Nominal discharge current (8/20)	I_n T1 T2	30 kA	20 kA	60 kA
Max. discharge current (8/20)	I_{max}	50 kA	40 kA	60 kA
Prospective short-circuit current of a power supply	I_p	25 kA _{ef}	-	-
Overcurrent protection gL/gG		≤160 A	-	-
Temporary overvoltage	U_{TOV}	335 V~	-	-
Residual current	I_{pE}	-	<1 μA	<1 μA
Follow current	I_f	-	100 A	100 A
Signalling changeover contact		M3/0,25 Nm □ max. 1,5 mm ² max. 250 V~/1A	-	-
Status indication of TDD (Thermic Disconnecting Device)		green (OK)/red (OUT)	-	-
Status indication of EWS		green (OK)/yellow/red (OUT)	-	-
Min. ... max. tightening torque		2 ... 3 Nm		
Connecting conductor cross section	- wire	4 ... 35mm ²		
	- cord	4 ... 25 mm ²		
Operating temperature range		-40 ... +70 °C		
Degree of protection		IP 20		
Colour	- plug-in varistor	turquoise blue RAL 5018	light grey RAL 7035	black RAL 9011
	- holder	black ; RAL 9011		
Dimensions		97 x 64 x 17,5 mm		
Mounting on profiled DIN rail		35 x 7,5 mm		
Products comply with norms STN EN 61643-11/A11 IEC 61643-1 VDE 0675-06		typ 1 T1 + typ 2 T2 + typ 3 T3 Class I + Class II + Class III Klasse B + Klasse C + Klasse D		

PRODUCT SPECIFICATION



TYPE	Order №	TYPE	Order №	TYPE	Order №	TYPE	Order №	TYPE	Order №
PO I 1	81.001	PO I 2	81.002	PO I 3	81.003	PO I 4	81.004	PO I 0	81.017
PO I 1 R	81.005	PO I 2 R	81.006	PO I 3 R	81.007	PO I 4 R	81.008	PO I 0 EWS	81.020
PO I 1 EWS	81.023	PO I 2 EWS	81.024	PO I 3 EWS	81.013	PO I 4 EWS	81.014		
PO I 1 R EWS	81.025	PO I 2 R EWS	81.026	PO I 3 R EWS	81.015	PO I 4 R EWS	81.016	TYPE	Order №
PO I 1+1	81.009	PO I 3+1m	81.027	PO I 3+1m EWS	81.029	PO I 1+1m	81.031	PO I 0 N-PE	81.018
PO I 1+1 R	81.011	PO I 3+1m R	81.028	PO I 3+1m R EWS	81.030	PO I 1+1m R	81.032	PO I 1 N-PE	81.019