

TECHNICAL DATA SHEET

APPLICATION

This system is suitable for easy installation of photovoltaic substructures on flat roof and is built for adjustable angle.



FAST MOUNTING / EASY STORAGE

This system is extremely practical and gives you the opportunity to save time during installation, since the majority of the components are offered pre-assembled.

PRODUCT COMPOSITION

The profiles and accessories used are made out of aluminum produced by extrusion and thermally treated. As raw material is used aluminum alloy EN AW 6063 with a temper T6. All the materials are aluminum and stainless steel.

MODULE COMPABILITY

This system is suitable for all framed solar module types with height 30-40 mm enabled by adaption of the module clamps.

HIGH QUALITY SERVICE

This system is strong enough to withstand the weight of the solar panels and the loads caused by atmospheric conditions. Due to their composition and surface treatments that is natural matte 6 to 8 μm 10 to 12 μm , the components of this system are resistant to corrosion and can also be recycled.

PRODUCT BASIC INFORMATION:

Alloy:	6063
Temper:	T6
Surface Finish:	Anodised Natural Mat 6-8 or 10-12 Micron
Standards & regulation	Alloy of the aluminium components is according to EN 573-3 Teper disegnation refered to EN 515 Mechanical properties of the used profiles are according to 755-2 Structural calculation are according to Eurocode 9 EN 1999 Structural parameters are according to EN 1090-3
Installation :	All joints bolted

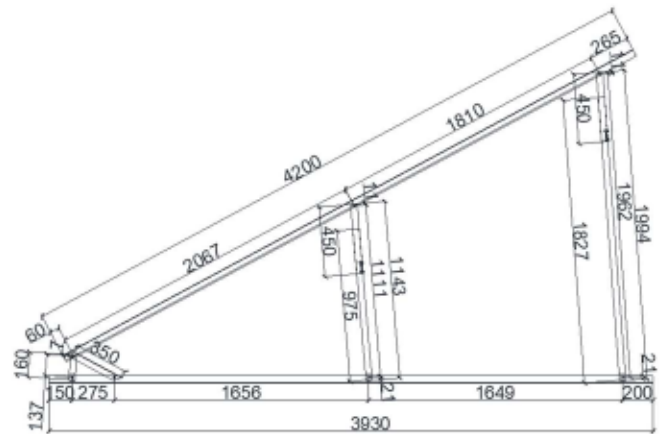
CHEMICAL COMPOSITION :
Chemical analysis are in compliance with the parameters specified in EN 573-3

Chemical Element		% Present
Manganese	(Mn)	0.0 - 0.10
Iron	(Fe)	0.0 - 0.35
Magnesium	(Mg)	0.45 - 0.90
Silicon	(Si)	0.20 - 0.60
Zinc	(Zn)	0.0 - 0.10
Titanium	(Ti)	0.0 - 0.10
Chromium	(Cr)	0.0 - 0.10
Copper	(Cu)	0.0 - 0.10
Other	(Each)	0.0 - 0.05
Others	(Total)	0.0 - 0.15
Aluminium	(Al)	Balance

MECHANICAL SPECIFICATIONS

Dimensions	4200 mm x 3930 mm x 2261 mm 165.35 in x 154.72 in x 89.02 in
Weight¹	11.4 Kg (25.13 lbs)
Mounting options	Flat roof

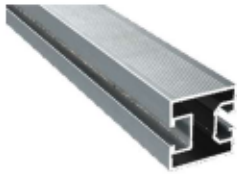
¹ Weight differ slightly



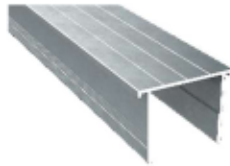
COMPLIANCE INFORMATION

Certifications	Qualanod EN 1090-1:2009+A1:2011 EN 15088 ISO 9001 ISO 14001
Environmental	ISO 45001

COMPONENTS



Internal Ω profile , angle recording for photovoltaic substructures with dimensions 39.9x39.7 mm



External U profile for the base and the upper part of the triangle with dimensions 62.1x47.11 mm



Internal U profile with dimensions 42.2x45.1 mm



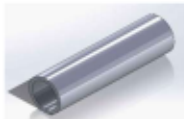
U accessory with 40 mm cut



Accessory for connecting the angle registration profile with the internal U profile



Washer for fixing the angle



Spacer fi 12 with 40 mm cut



Hexagon stainless steel self-locking nut M8 DIN 985



M8x15 stainless-steel bolt DIN933 A2-70



M8x70 stainless-steel bolt DIN933 A2-70